



Manufacturing, Inc.

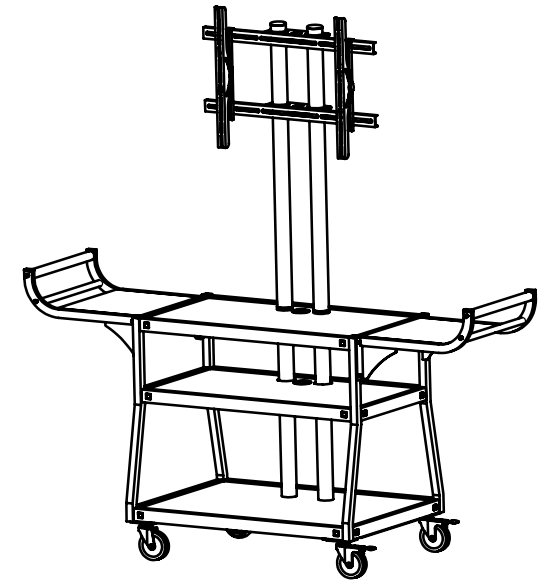
# Instruction sheet -- VTI Flat panel TV cart

Model number: 10200

Congratulations for having chosen this excellent VTI product.

To assure your complete satisfaction, this product is warranted against defect in manufacture for one year after the purchase date. Any parts requiring replacement during the 1--year period, under normal use and service, as a result of defective workmanship, will be replaced by VTI or by an authorized VTI dealer, without cost, except for transportation charges. All unit should be returned in original packing to guarantee safe transport. VTI is not responsible for damage in shipment. If you have any questions regarding the assembly of your table, please call the VTI helpline at (626)333-6638.

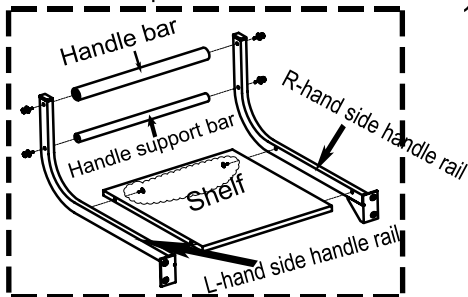
**Note: This unit is easier to assemble with two people.**



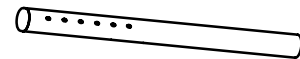
Model: 10200

## Parts list

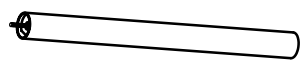
Qty.	Description	Qty.	Description
1	Top shelf with decal	2	Horizontal mount
1	Middle shelf	2	Vertical mount
1	Bottom shelf	2	Casters with brakes
2	Legs (Labeled "X")	2	Casters without brakes
2	Legs (Labeled "O")	1	Power cord
2	Handle shelf	1	Electrical bracket
2	L-hand side handle rail	3 Set	Screws and serrated nuts (E)
2	R-hand side handle rail	25 Set	Square head bolt, washer and hex nut (I)
2	Handle bar	8 Set	Hex head screw & washer for fixing handle shelf (J)
2	Handle support bar	2	Security screws for upper horizontal mount (G)
2	Upper poles	2	Screws for lower horizontal mount (H)
2	Lower poles	2 Set	Screws for fixing the support poles (M)
		12 Set	Hex head screw & washer for the casters (F)
		8 Set	Hex head screw & washer for the handles (K)
		8	Philip head screw for the handles shelf (L)



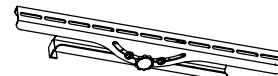
Handle shelf section assembly parts



Upper pole



Lower pole



Vertical mount



Horizontal mount

(Instructions continued on next page)

## Screw table

Some screws may have already screwed on the related parts.

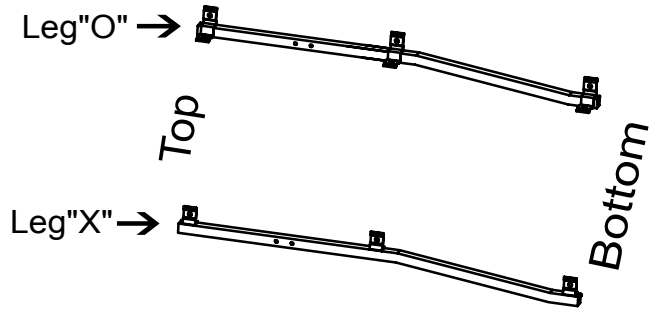
M5x12	For mounting TV set	H	M10x20 (On the lower horizontal mount)
M6x12	For mounting TV set	I	
M8x16	For mounting TV set	J	M6x16 (On the legs)
M10x16	For mounting TV set	K	M6x25 (On the handle bar & handle support bar)
E	M5x55	L	M5x10 (On the handle rail)
F	M8x20	M	M8x16 (On the lower pole)
G	M10x20 (On the upper horizontal mount)		

## Tools required

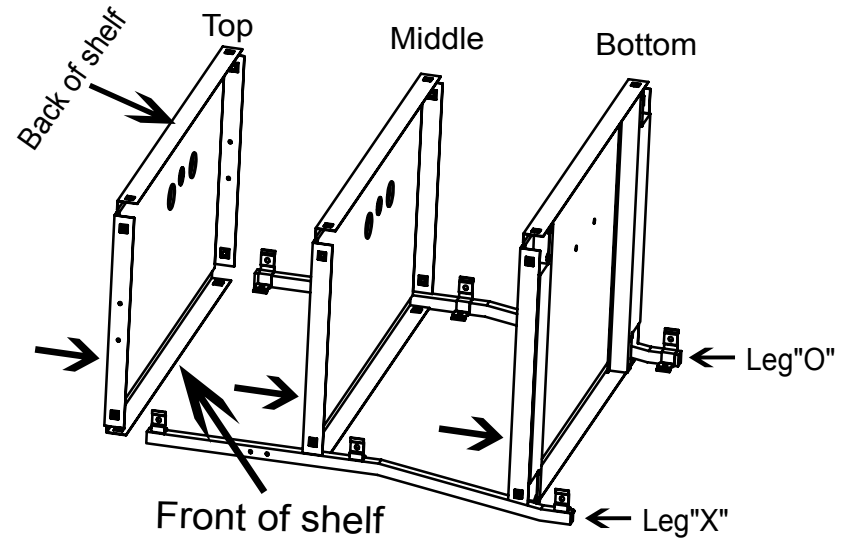
Hex wrench  
L key  
Adjustable wrench/pliers  
Rubber mallet

**WARNING:** Please keep the TV mounting screws M5, M6, M8, M10 and the L key in a secure location as they may be required for use with the flat panel TV at a later time.

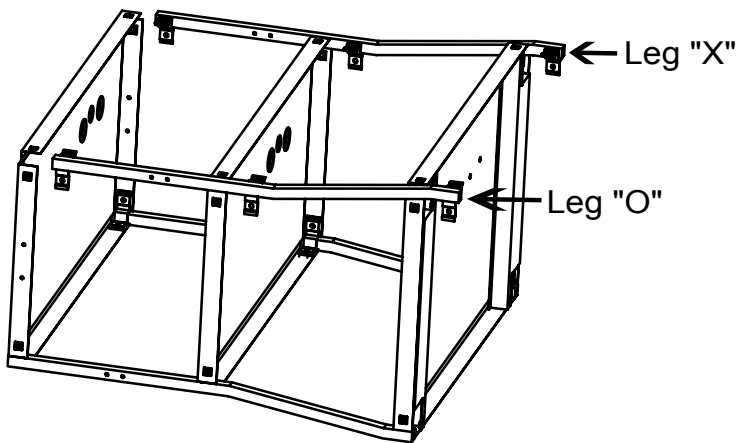
**PROP 65 WARNING:** This product contains the chemical known to the State of California to cause cancer and birth defects or other reproductive harm.



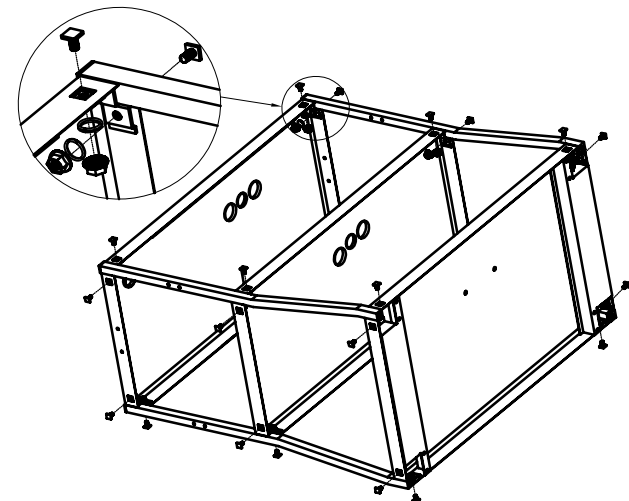
1. Lay front legs (labeled "O" and "X") on the floor with the brackets facing upward and inward as illustrated. **Note:** legs, when placed on the floor should bend upward, off the floor at their top end and the width of the unit should remain constant all the way to the top.



2. Slide each shelf over the brackets of the legs. The largest shelf is the bottom. The top shelf has the **VII** decal on it.



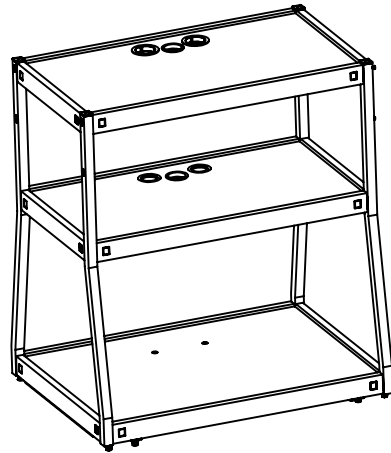
3. Slide the two remaining legs onto the shelves as illustrated. Make sure that the brackets are inside the shelves.



4. **HAND TIGHTEN** the top, middle and bottom shelves at the two corners with square head bolt, washer and nut (see screw table I) as illustrated. Please make sure washer and nut are together on the inside of the leg bracket.

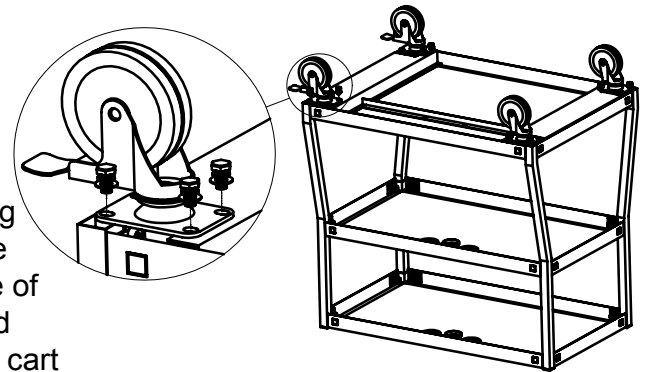
5.

In order to have the unit properly aligned, stand unit upright on a level surface. Gently rock unit back and forth to realign and level the unit. **TIGHTEN ALL NUTS AND BOLTS WITH WRENCHES AT THIS TIME.** Unit should now be properly aligned and level. If unit is not level at this time, repeat the above steps before proceeding to step 6.



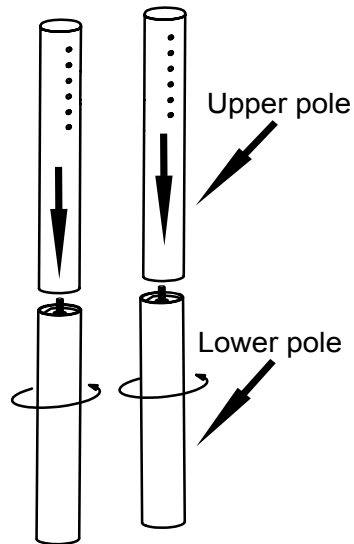
6.

Lay unit on the floor. Align the holes on the casters with the holes on the corner of the bottom shelf. Use the hex screws (see Screw table F) and tighten the caster. Repeat the same for the other three casters. It is recommended you place the locking casters on either the right side or left side of the unit for safer and easier movement of cart through doorways, ect..



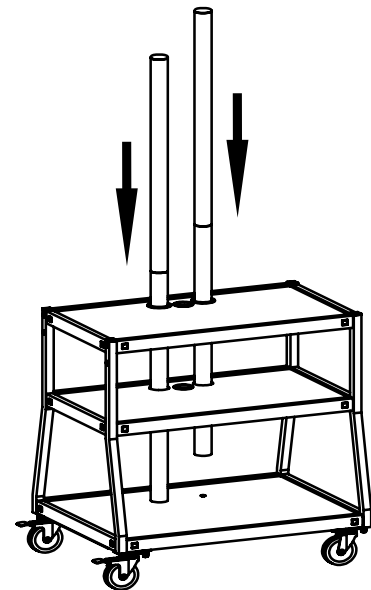
7.

Hand-tighten the upper pole (with holes) to the lower poles.

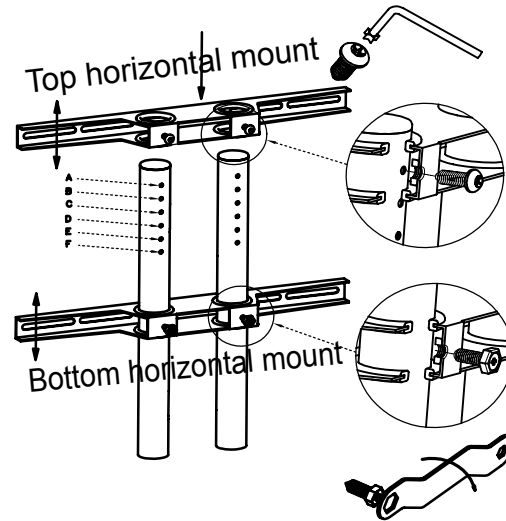


8.

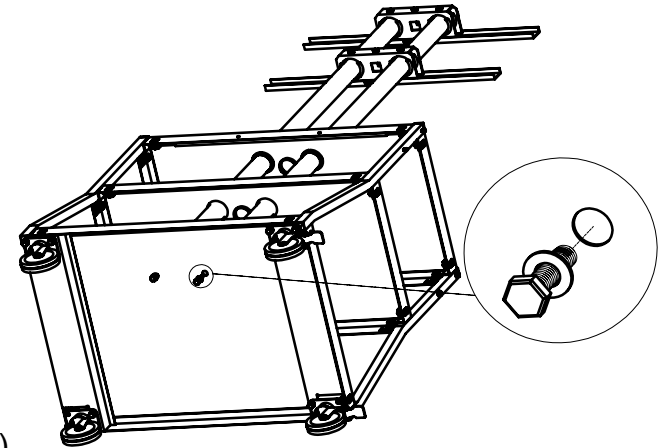
Insert the two support poles onto the top and middle shelves as shown.



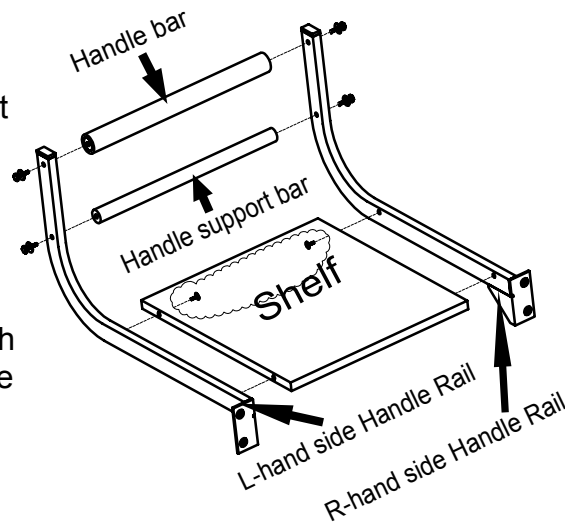
**9.**  
 Insert the two horizontal mounts onto the support poles. Note: The mount with adjustable screw(see screw table H) should go on the bottom. Screw(see screw table G) the top mount to desired height from A to F. Adjust the bottom mount height according to the TV screw position later.



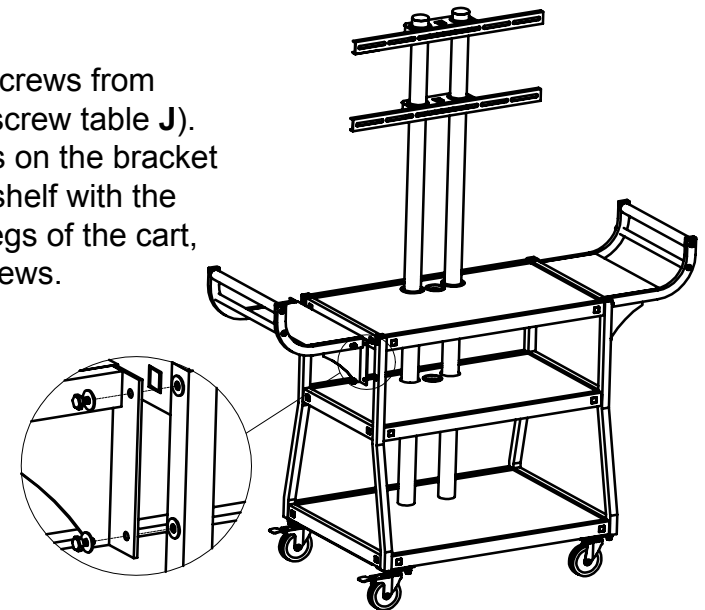
**10.**  
 Tighten the two supporting poles onto the bottom shelf with two screws as shown (see screw table M).



**11.**  
**Handle shelf assembly**  
 Unscrew the screws from handle bar, handle support bar and handle rail (see screw table K & L). Align the holes on the handle bar with the holes of the handle rail, the holes on the handle support bar with the holes of handle rail, the holes on the shelf with the holes of the handle rail, tighten the screws as shown.



**12.**  
 Unscrew the screws from the legs (see screw table J). Align the holes on the bracket of the handle shelf with the holes on the legs of the cart, tighten the screws.

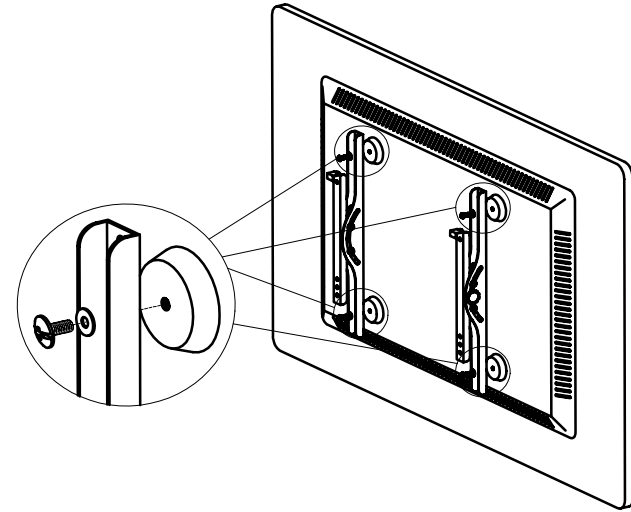
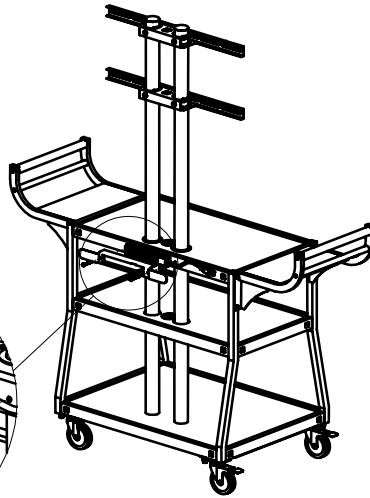
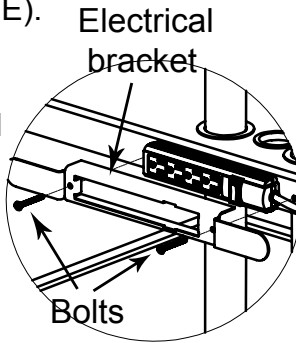


13.

**Electrical bracket assembly instruction**

A. Push power cord into cord winder bracket.

B. Attach electrical bracket to back side of top shelf with two nuts and bolts (see screw table E). Tighten nuts and bolts securely. Wrap power cord around wings of the bracket.

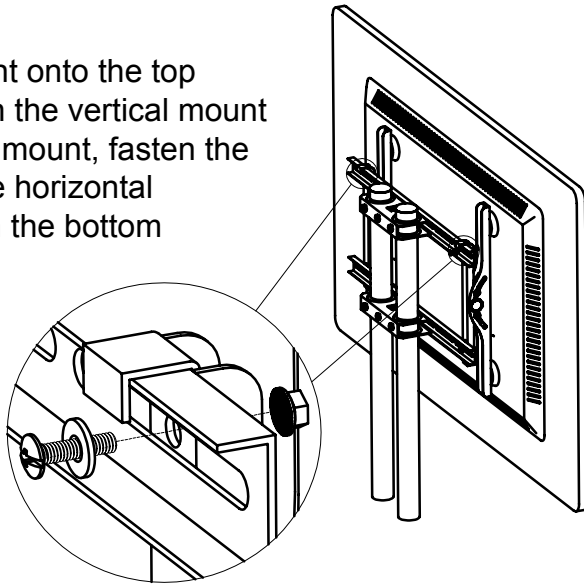


14.

Use the appropriate screws needed (M5, M6, M8 or M10, see screw table M5x12, M6x12, M8x16 or M10x16) to fasten the flat panel TV onto the vertical mounts as shown.

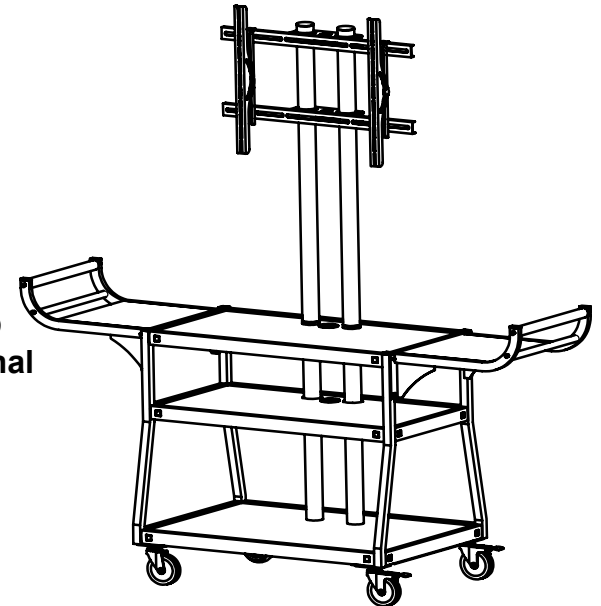
15.

Hook the vertical mount onto the top horizontal mount. Align the vertical mount with the top horizontal mount, fasten the vertical mount onto the horizontal mount as shown. Align the bottom horizontal mount with the vertical mount, fasten the horizontal mount onto the poles. Use the screw to fasten the vertical mount to the bottom horizontal mount as shown.



16.

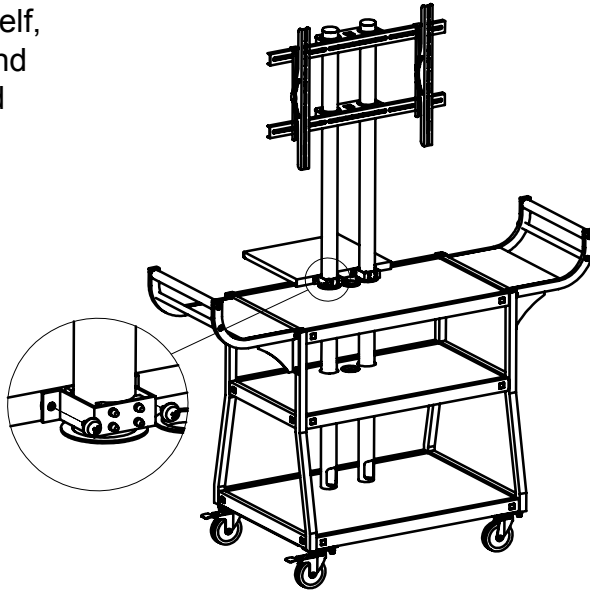
Congratulations! Unless you have also purchased the **optional laptop shelf** or **web. cam. platform**, you have completed the installation of Model 10200.



17.

**Assembly laptop shelf instruction (Optional)**

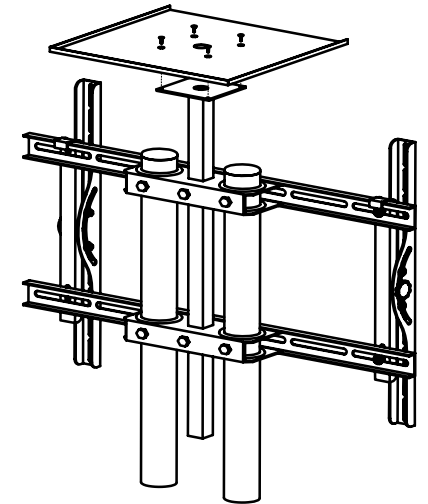
To install the laptop shelf, wrap the bracket around the TV mount pole and fasten the screws as shown.



18.

**Assembly Web. Cam. platform instruction (Optional)**

To install the Web. Cam. platform, insert the platform support on the middle hole between the two TV mounting poles. Align the platform with the holes on the support and fasten the screws.



15046 Proctor Avenue,  
City of Industry, CA 91746, USA  
Tel.:(626)333-6638; Fax:(626)333-6631.

If any parts or hardware are missing or damaged, **Do Not Return** the unit to your dealer. Call the **VTI** helpline at (626)333-6638 for immediate parts replacement.